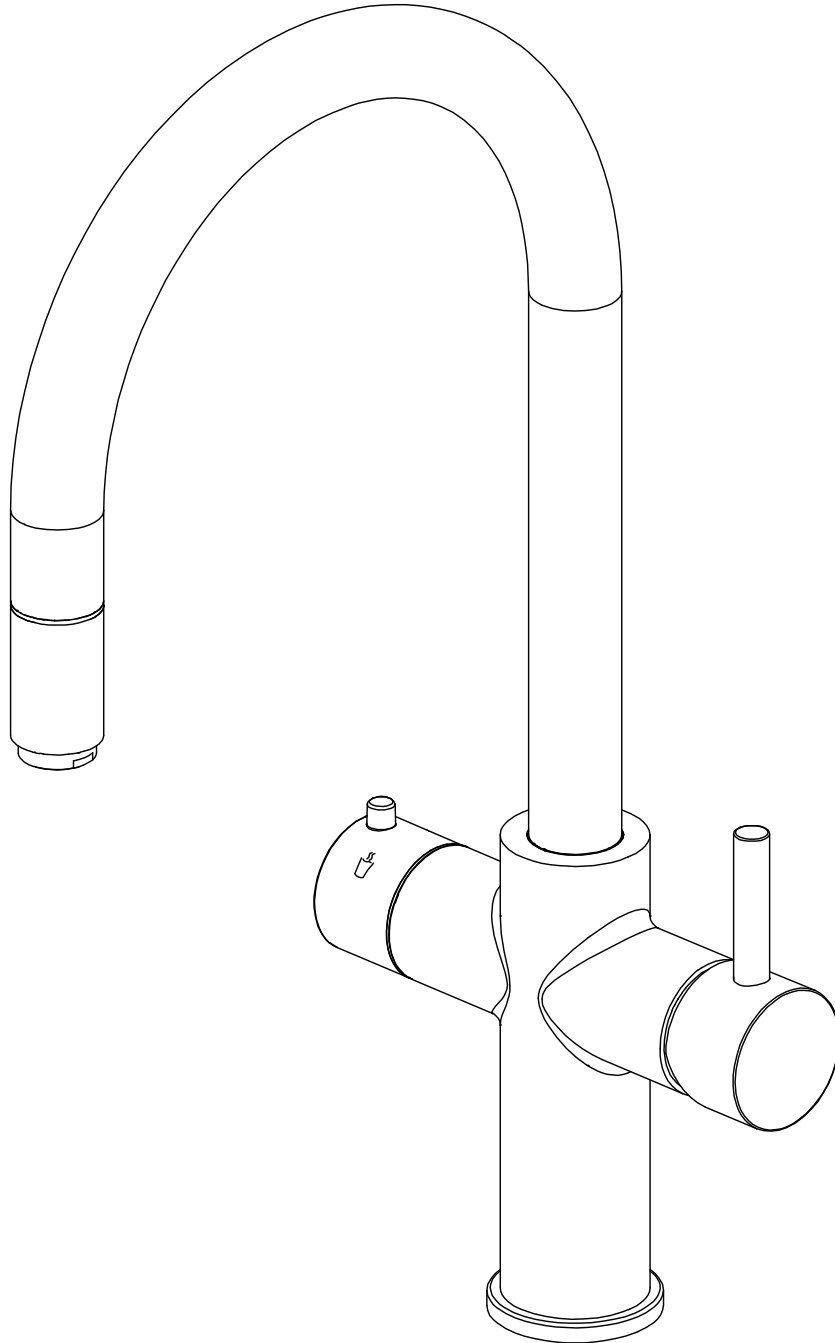
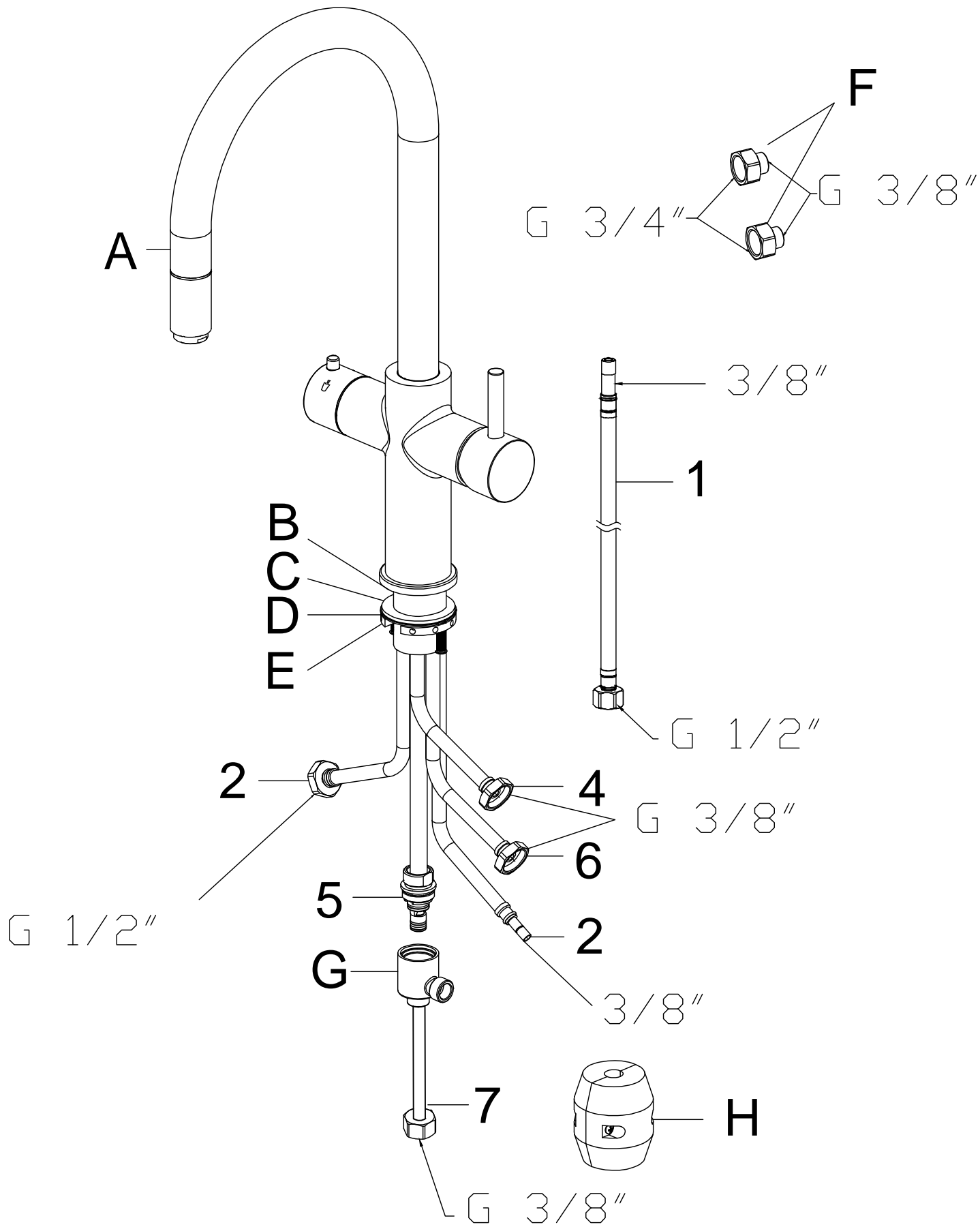


# 3 in 1 Pullout Faucet Manual



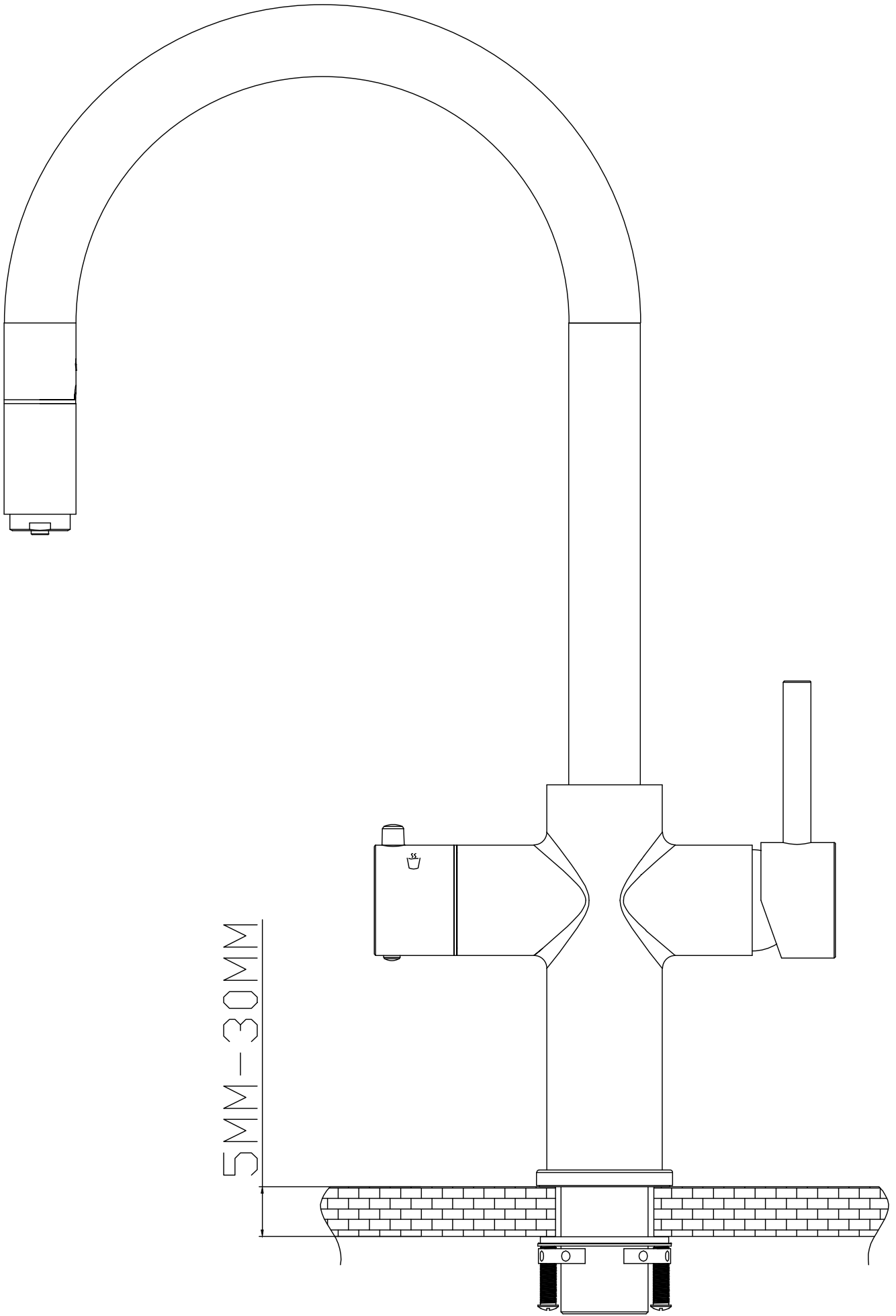
pull out 3in1 boiling water tap

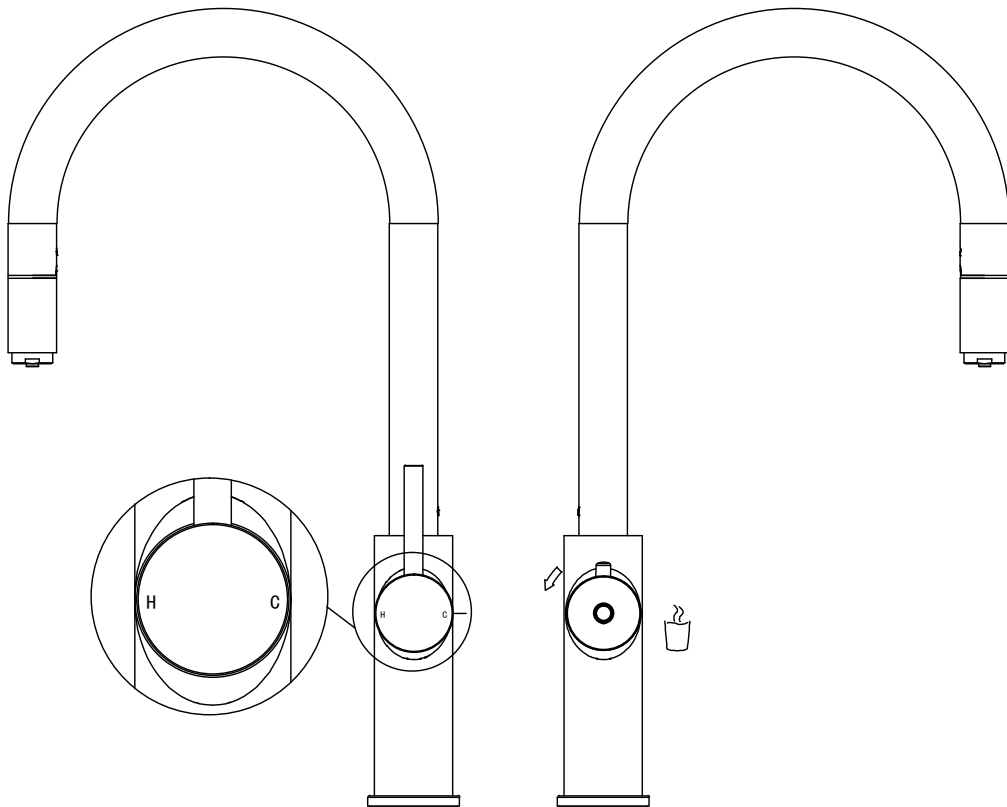
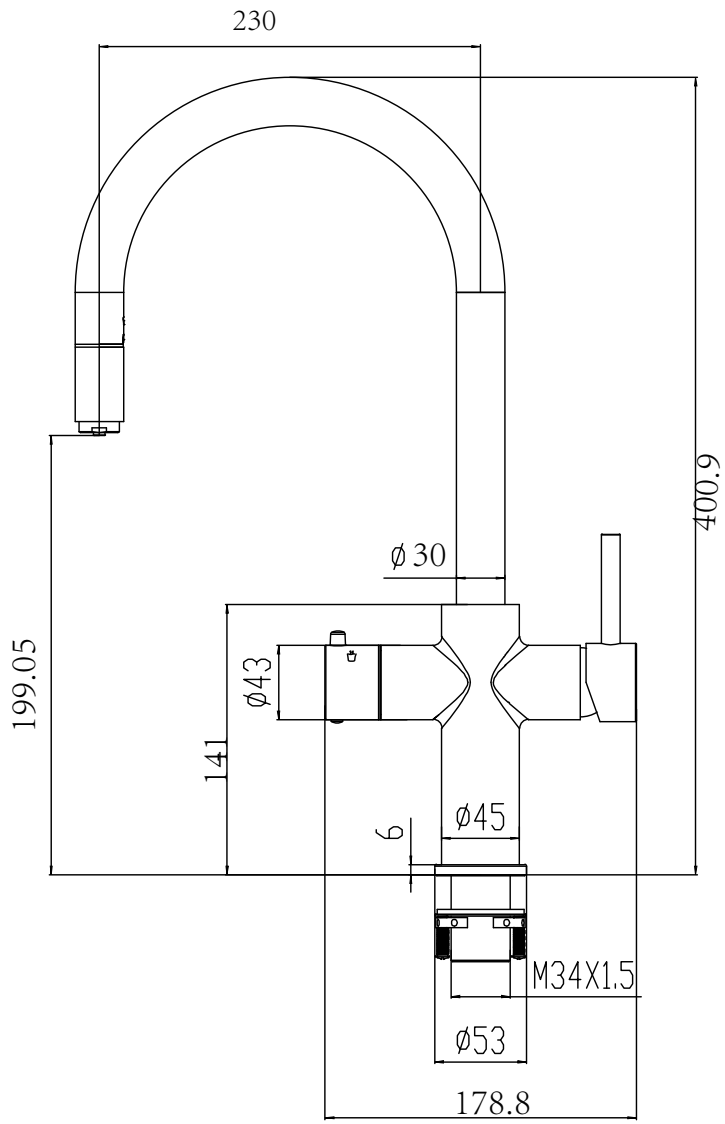


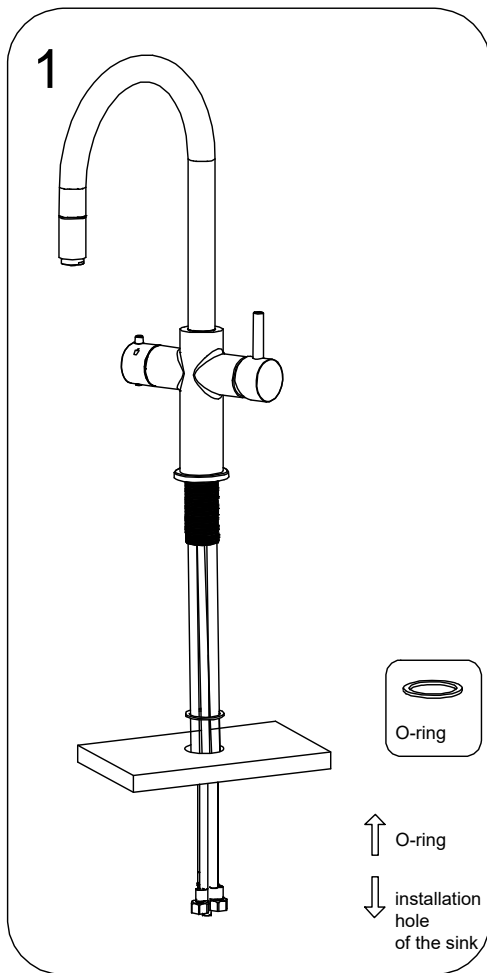
<b>A</b>	Tap of body
<b>B</b>	O-ring
<b>C</b>	Rubber washer
<b>D</b>	Metal washer
<b>E</b>	Fixing nut
<b>F</b>	1/2" to 3/8" connector
<b>G</b>	pull down 3-way connector
<b>H</b>	Counterweight
<b>1</b>	Hose for cold water
<b>2</b>	Hose for hot water
<b>3</b>	Filtered water inlet hose
<b>4</b>	Boiling water inlet hose
<b>5</b>	Pull down tube
<b>6</b>	Mixed water outlet hose
<b>7</b>	Boiling water outlet hose

pressure	cold water flow	hot water flow	mix water flow
0.5bar	1.1	1.1	1.9
1.0bar	3.1	3.1	3.6
1.5bar	3.9	3.9	4.3
2.0bar	4.5	4.5	5.1
3.0bar	5.6	5.6	6.2

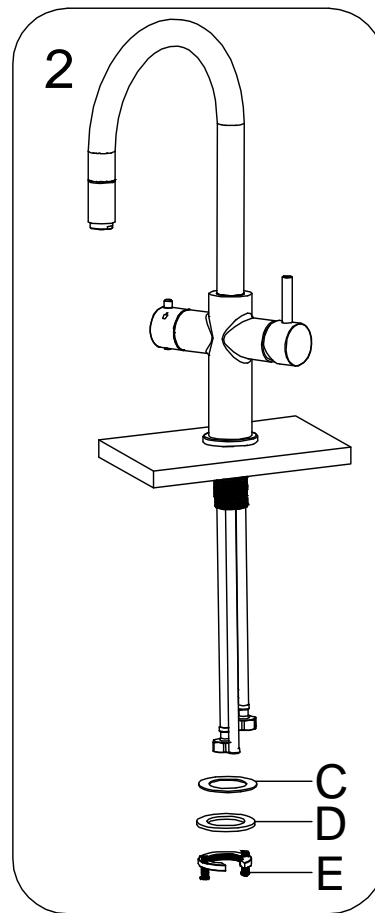
pressure	0.5Bar	1.0Bar	1.5Bar	2.0Bar	3.0Bar
boling water flow	0.8	0.9	1.3	1.5	1.8



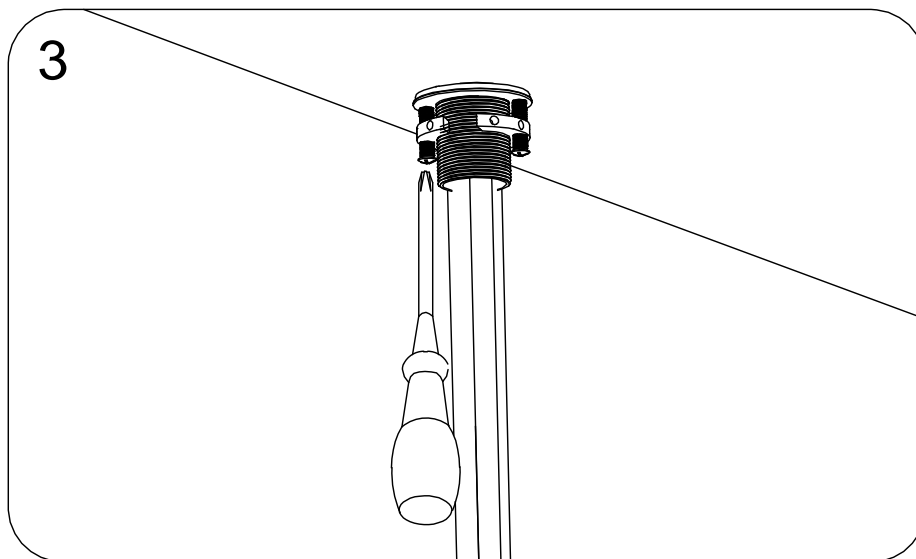




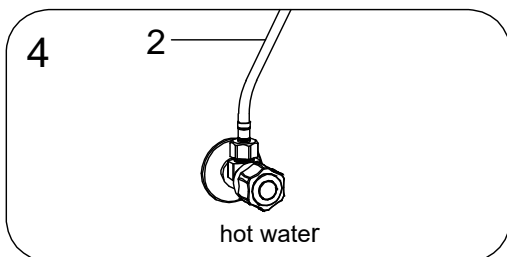
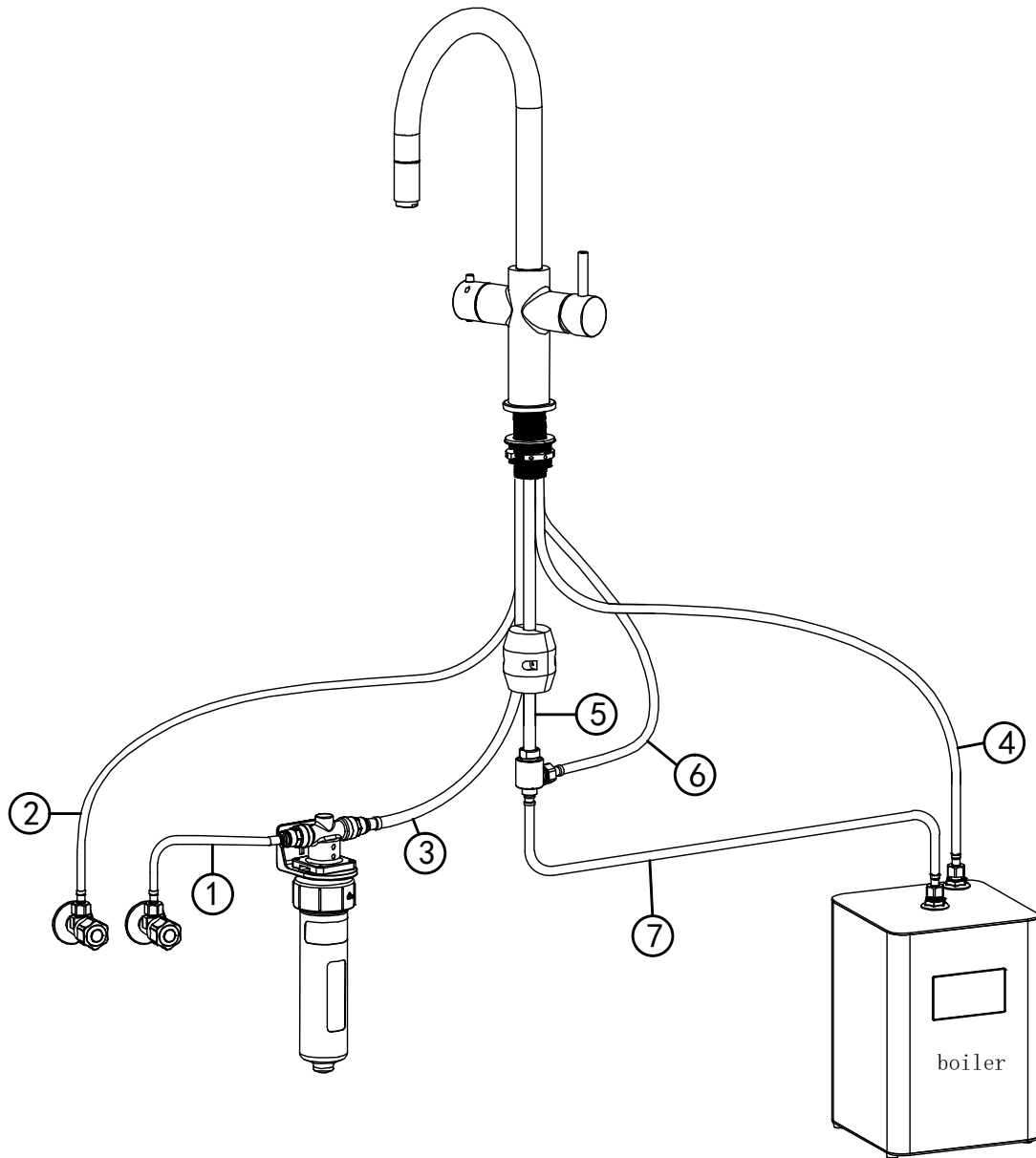
1. Put the O-ring (B) on the bottom of the tap, then put three flexible hose and one silicone tube through the sink hole.



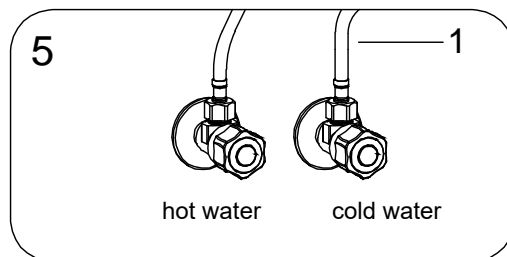
2. Put the rubber washer (C), metal washer (D), and fixing nut (E) through the hose in turn, fix them on the thread connector, tighten them by hands.



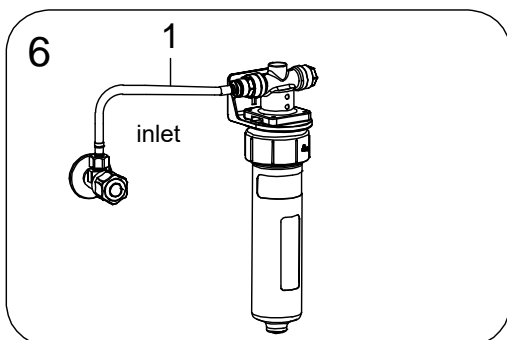
3. Use a cross screwdriver to tighten the two fixing screws.



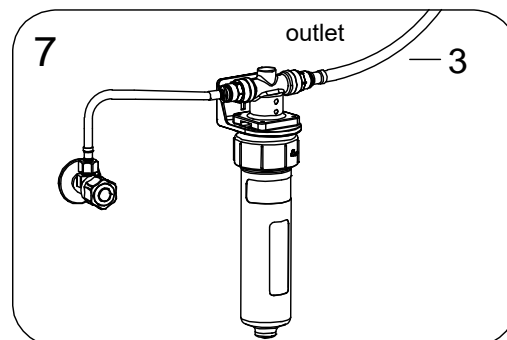
4. Connect the hose(2) to the hot water house valve and tighten it with a wrench



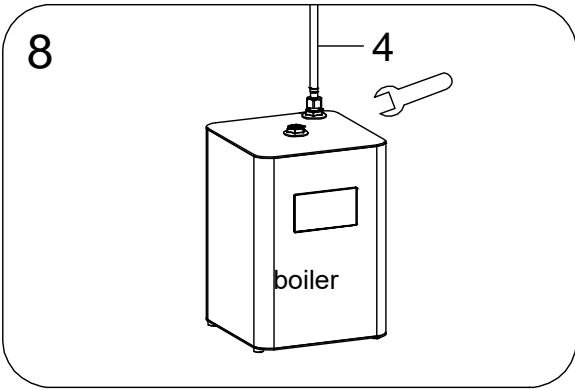
5. Connect the hose(1) to the cold water house valve and tighten it with a wrench



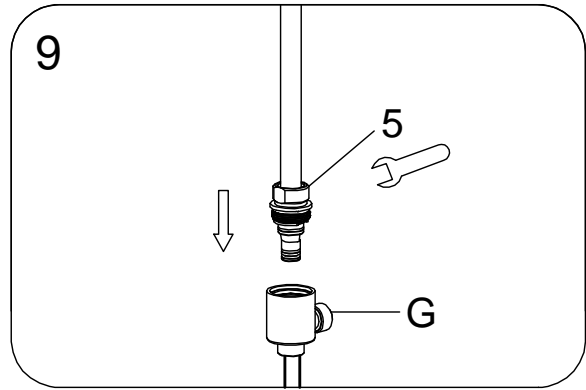
6. Insert the other end of the hose(1) into the filter's inlet.



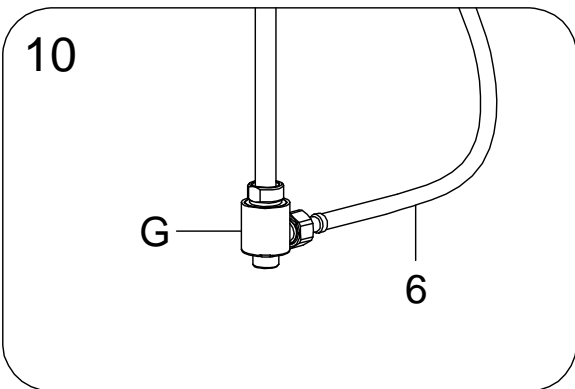
7. Insert the filter out hose(3) into the filter's outlet.



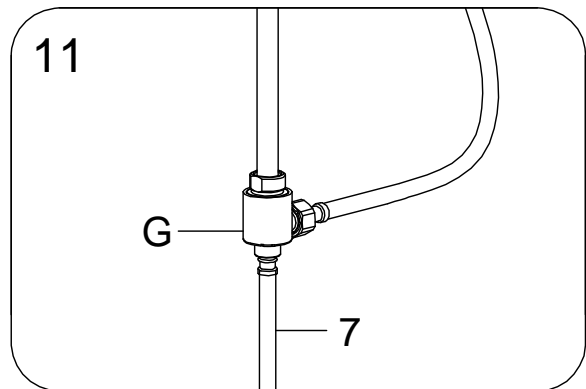
8. Connect the boiling water inlet hose(4) to the boiler's inlet and tighten it with a wrench.



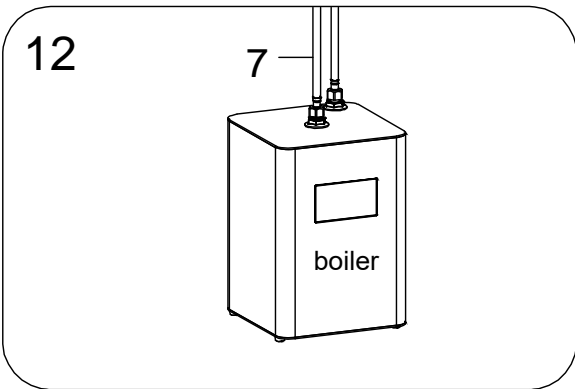
9. Connect the end of pull down tube (5) to the pull down 3-way connector(G) and tighten it with a wrench.



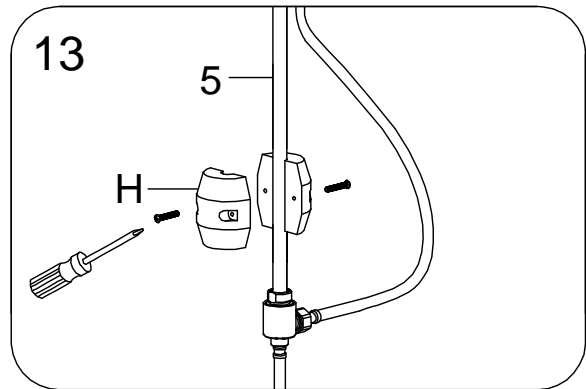
10. Connect the mix water hose(6) to the pull down 3-way connector(G) and tighten it with a wrench.



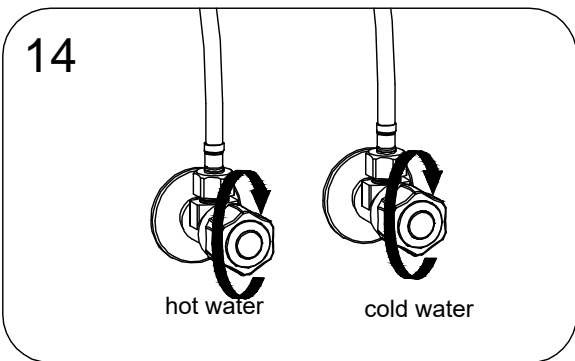
11. Connect the boiling water outlet hose(7) to the pull down 3-way connector(G)



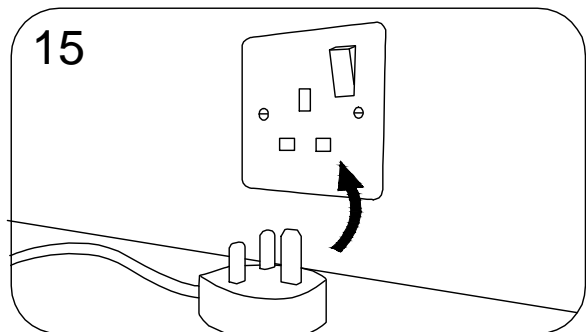
12. Connect the boiling water outlet hose(7) to the boiler's outlet and tighten it with a wrench.



13. Install counterweight(H) to the suitable position of pull down tube (5) and tighten it with a wrench.



14. Turn on the house hot and cold water valves, check and ensure no leakage for each connection. Open the handle for boiling water to full the water tank and exhaust air in the tank.



15. Insert the plug of the boiler into the power socket ,set according to the machine manual.