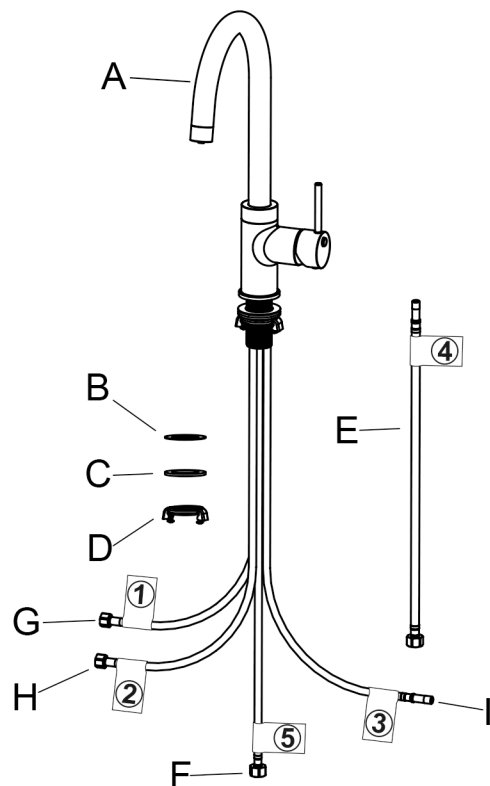
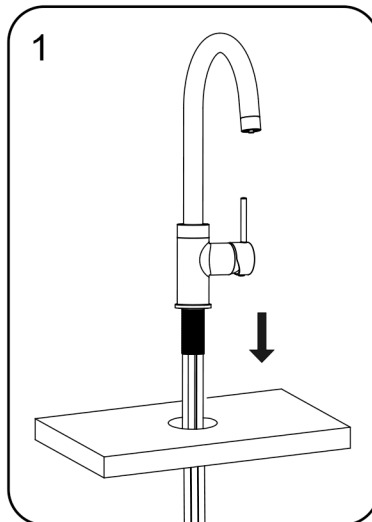


3-1 Instant Boiling Water Faucet

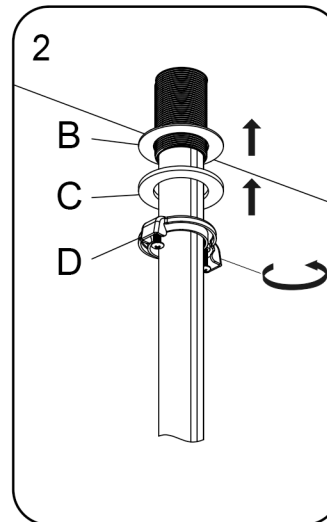
USER MANUAL



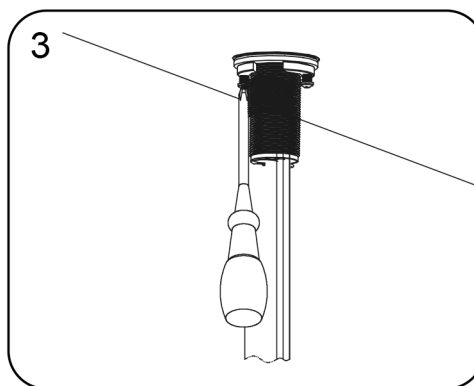
NO.	Description	QTY
A	Faucet	1
B	Rubber Washer	1
C	Metal Washer	1
D	Mounting Nut	1
E	Drinking Water Supply Hose	1
F	Boiling Water Outlet Hose	1
G	Cold Water Supply Hose	1
H	Hot Water Supply Hose	1
I	Cold Water Outlet Hose	1



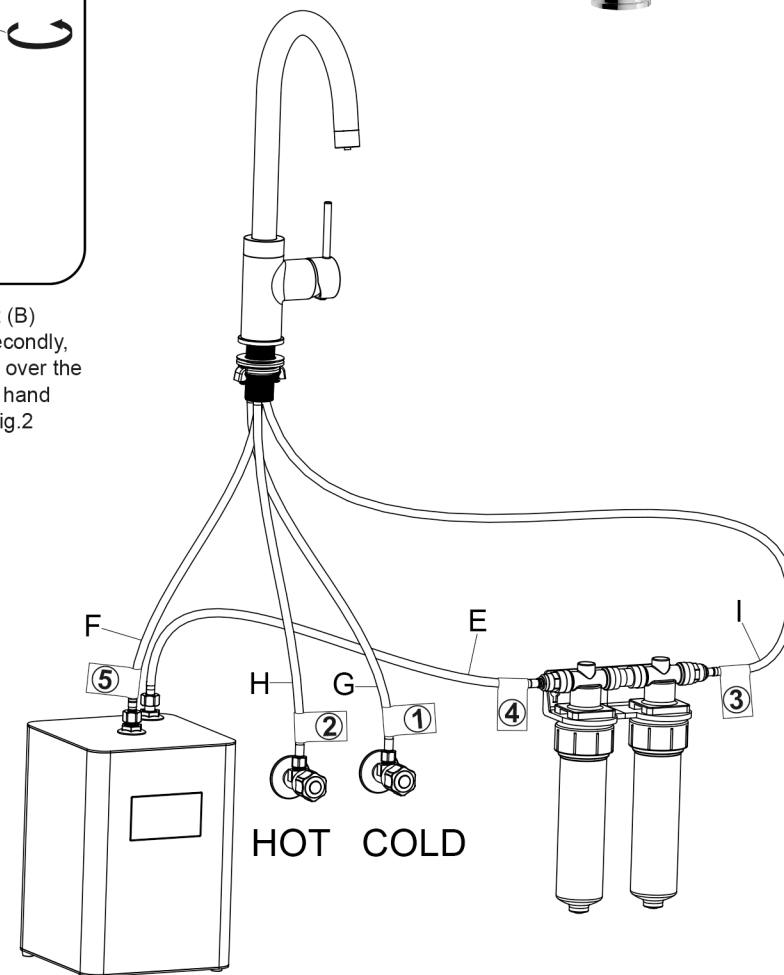
1. Mount the faucet on the Sink.
See Fig.1

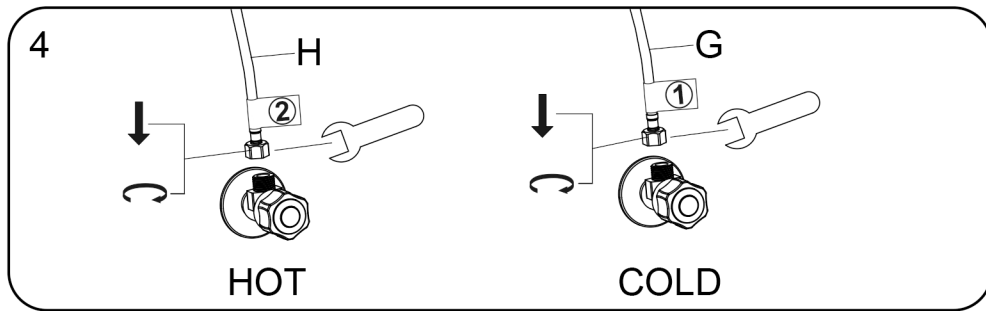


2. Slide the rubber gasket (B) firstly, metal washer (C) secondly, then the mounting nut (D) over the hoses onto the stem, and hand tighten them firmly. See Fig.2

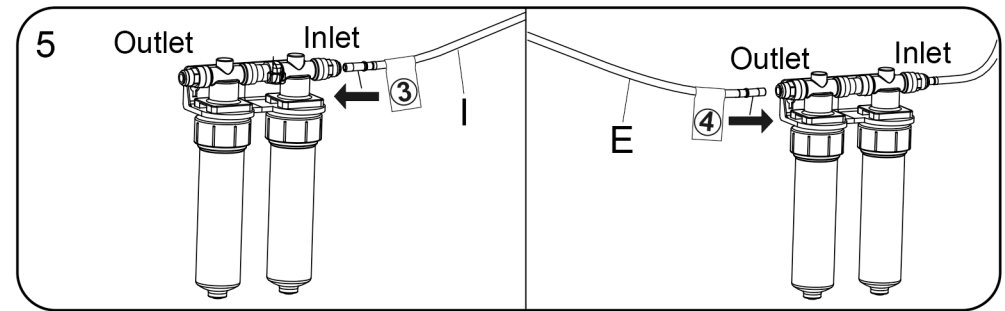


3. Use a Phillips head screwdriver to thread the 2 screws. See Fig.3

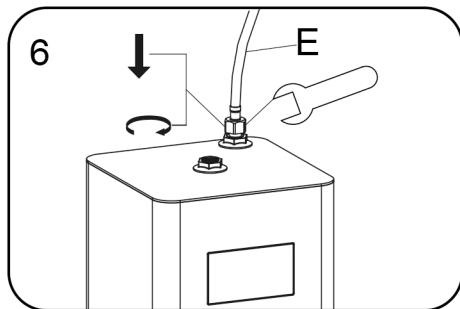




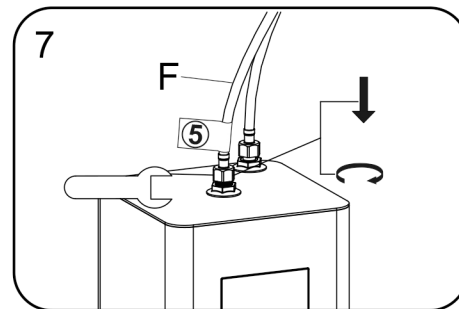
4. Connect the Cold supply hose (G) (With label ①/ blue color) onto the matching Cold-water valves. Connect the Hot supply hose (H) (with label ②/ Orange color) onto the matching Hot water valves and secure the connections with an adjustable wrench. See Fig.4



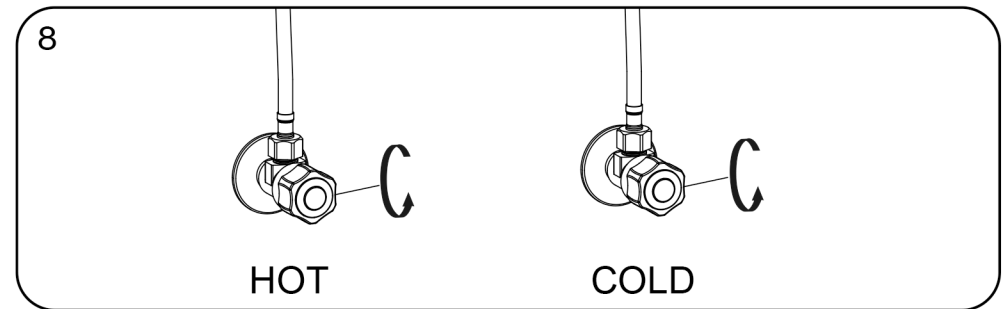
5. Fit the Cold-Water outlet Hose (I) (with label ③/blue color) into the filter housing inlet. Fit Drinking Water Supply Hose (E) (with label ④/ Green color) into the filter housing outlet. See Fig.5



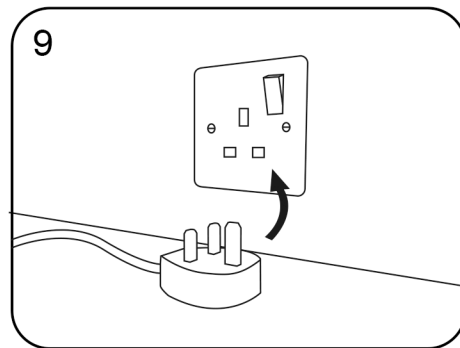
6. Connect another end of Drinking Water Supply Hose (E) onto the inlet of boiling water tank indicated blue, secure the connection with an adjustable wrench. See Fig.6



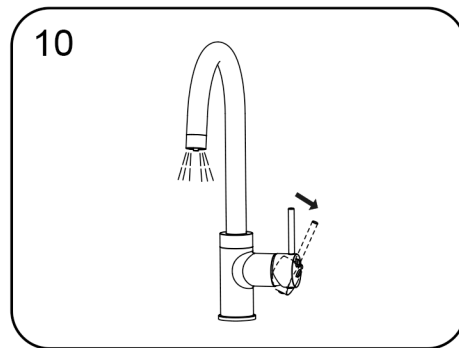
7. Connect Boiling water outlet hose (F) (with label ⑤/ red color) onto the outlet of boiling water tank indicated Red, secure the connection with an adjustable wrench. See Fig.7



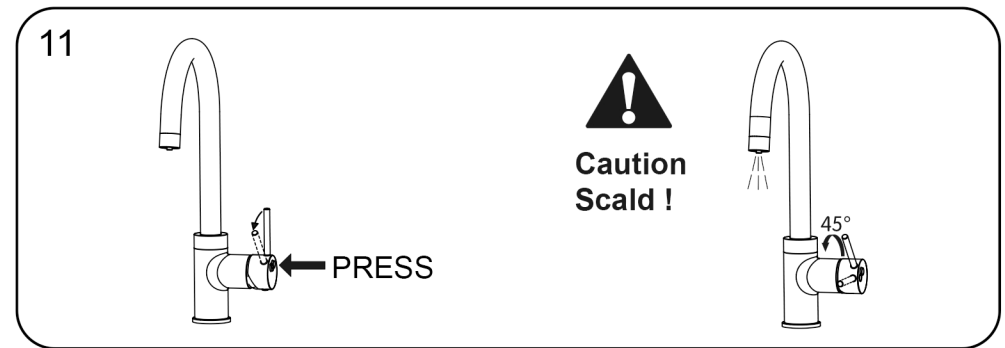
8. Turn on the water supply and check the water connections for leaks. Test systems for leaks, and purge system. Run a minimum of 20 litres of water through the tank to remove any air.



9. Then the installation is completed. Plug tank into electrical outlet and switch unit on, power indicator will flash.



10. Open the handle to the right and the water will come out. Turn the handle forward or backward to control the water temperature according to the hot and cold indication.



11. Press the button on the handle and turn the handle straight forward 45 degrees. The boiling water will come out of the faucet after 2-3 seconds, **Caution Scald.**