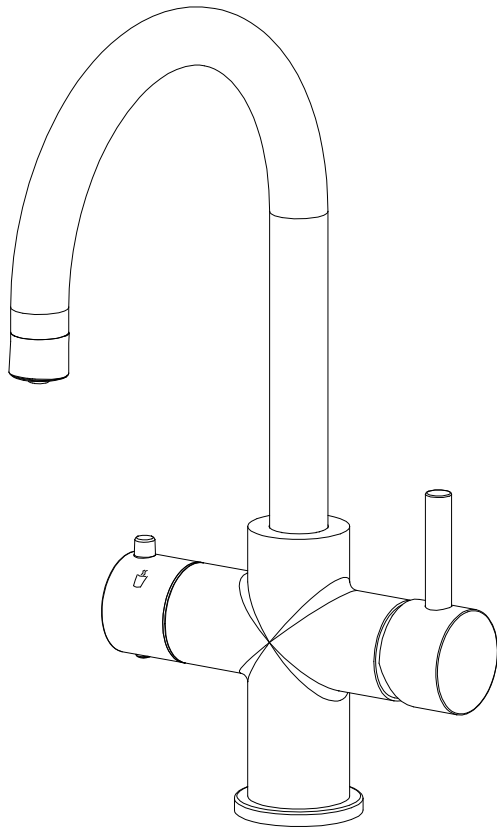
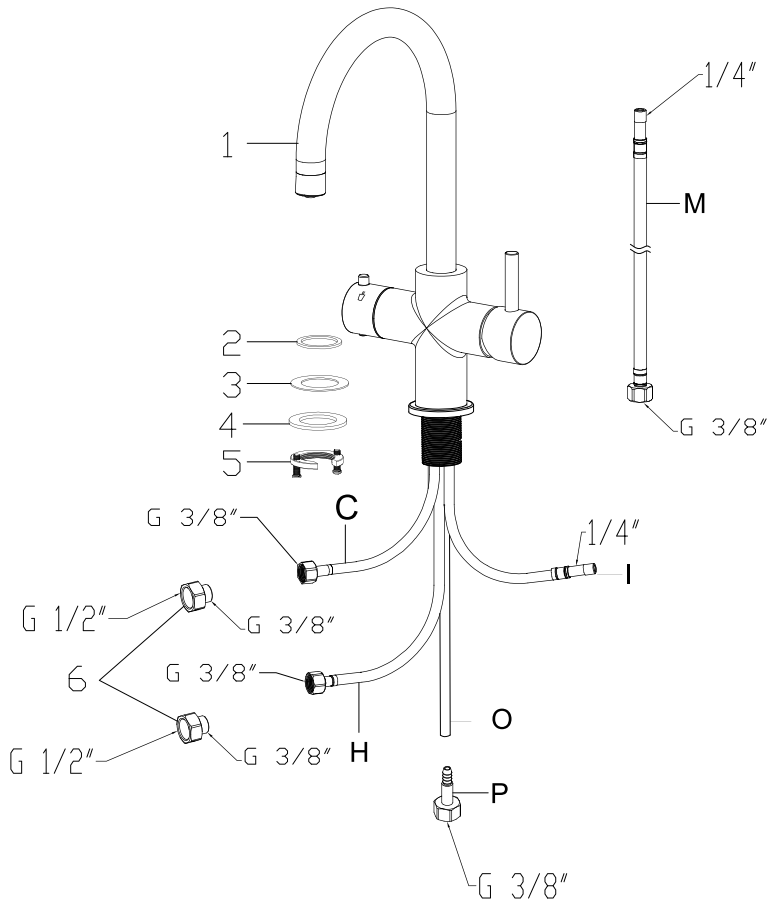


Manual Instruction Guide

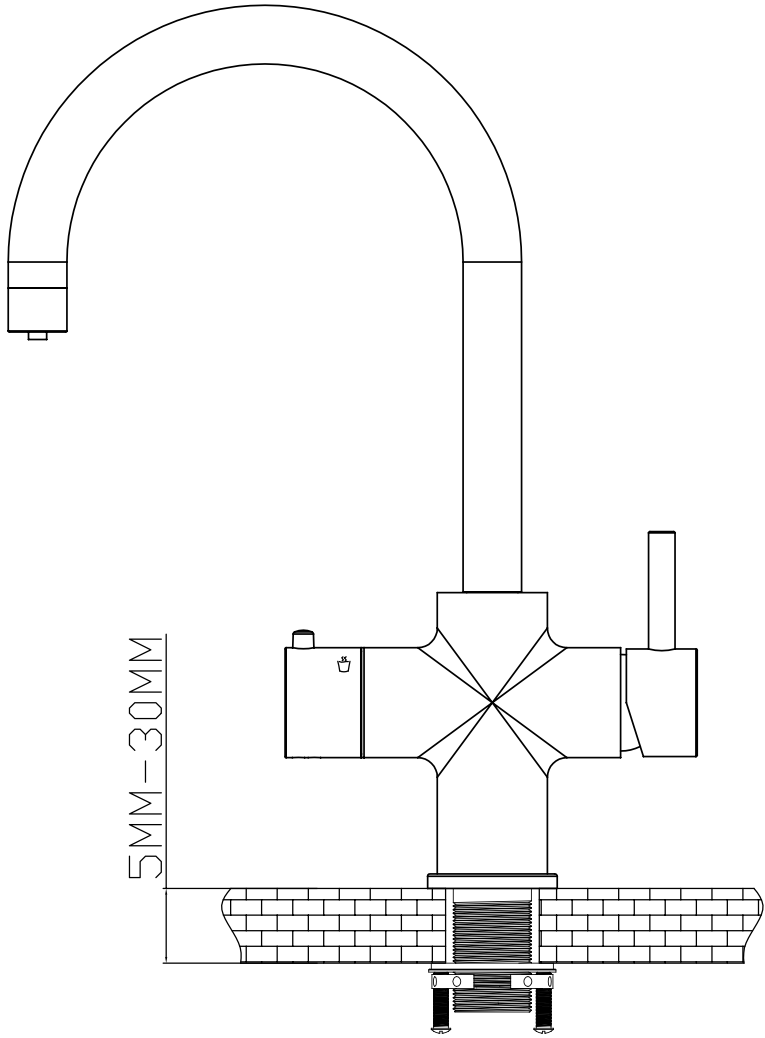


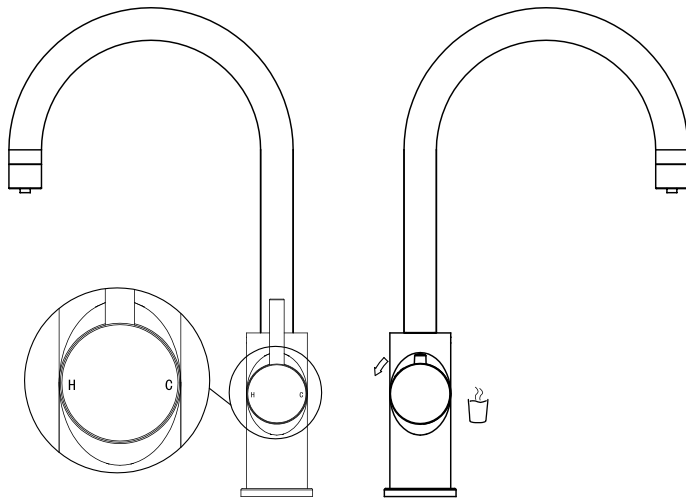
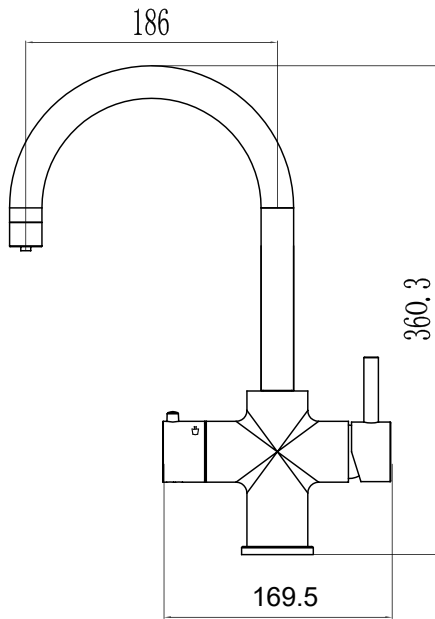
3in1 Boiling water tap

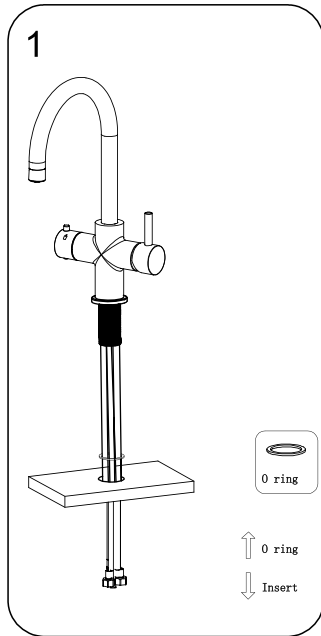


No	Part Des	Qty
1	Tap	1
2	O Ring	1
3	Rubber washer	1
4	Metal washer	1
5	Fixing& Mounting nut	1
6	1/2 adaptor	2
C	Cold supply flex hose	1
H	Warm supply flex hose	1
I	Pipe from tap to filter	1
M	Pipe from filter to boiler	1
O	Silicon hose	1
P	adaptor	1

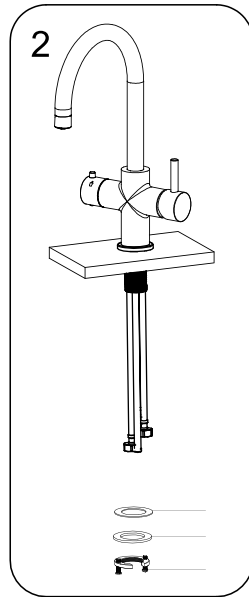
Bar	Mixer flow rate
0.5bar	4.5
1.0bar	6.5
1.5bar	8.5
2.0bar	9.5
3.0bar	11.5



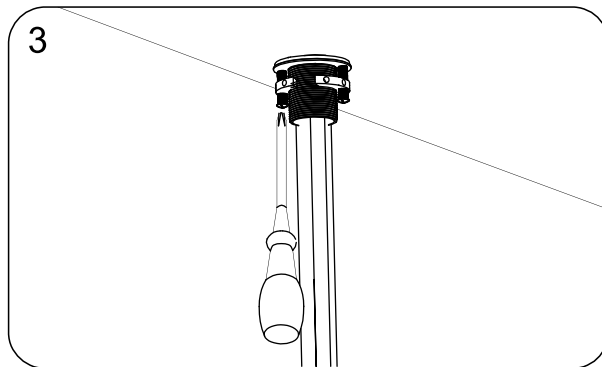




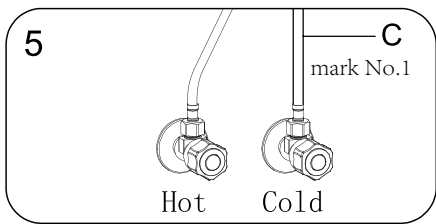
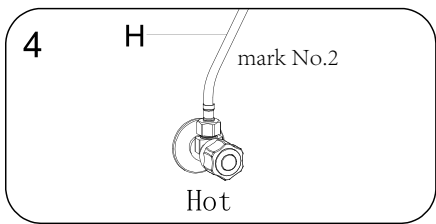
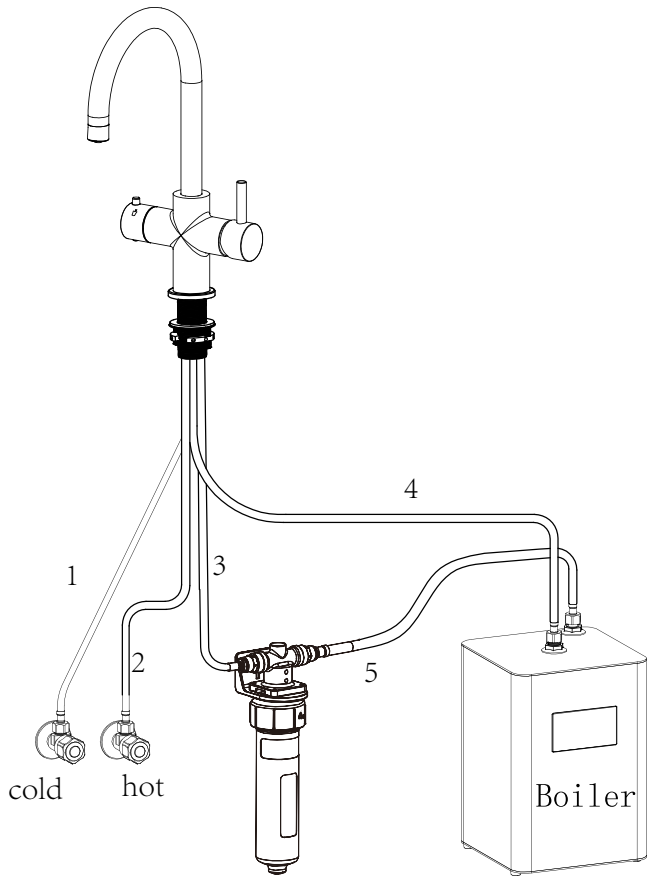
1.1. Insert base seal(2) over the hoses into the tap, and mount the tap on the sink. See Fig1



2. Slide the Rubber washer(3) firstly, Metal washer(4) secondly, then mounting nut(5) over the hoses, and hand tighten them firmly. See Fig2

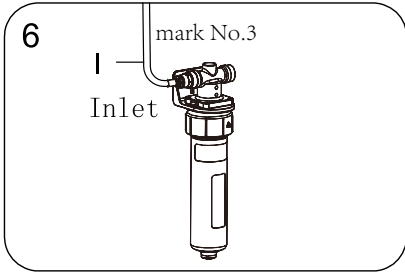


3. Use a Phillips head screwdriver to thread the 2 screws See Fig3

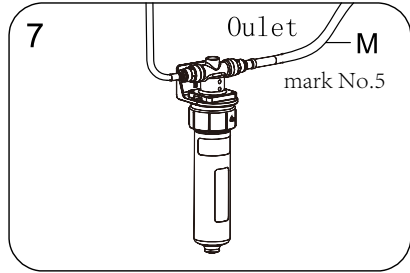


4. Connect the hot water pipe(H)with label onto the matching hot water valve,and secure the connection with an adjustable wrench. See Fig4

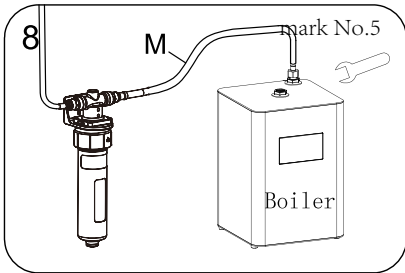
Connect the cold water pipe(C)with label onto the matching cold water valve,and secure the connection with an adjustable wrench. See Fig5



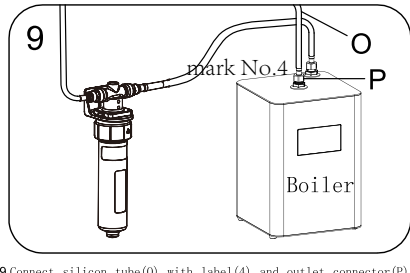
6. Fit the hose from filter to tap (i) with label into the filter housing inlet See Fig6



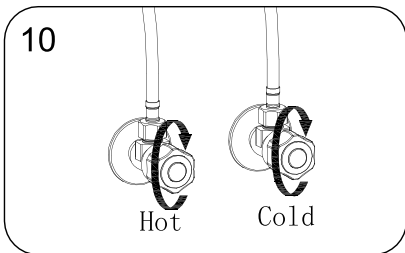
7. Fit the hose from filter to boiler (M) with label into the filter housing outlet, See Fig7



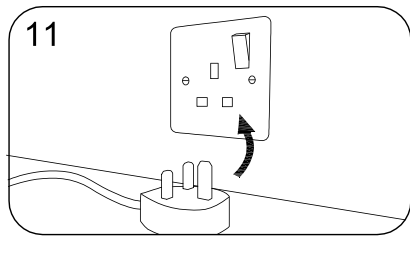
8. Connect Hose from filter to boiler onto the inlet of boiler indicated blue, secure the connection



9. Connect silicon tube (O) with label (4) and outlet connector (P) onto the outlet of boiler indicated red. Secure the connection with an adjustable wrench. See Fig9.



10. Turn on the water supply and check the water connection for leaks. Test systems for leaks, and purge system. Run a minimum of 20 litres of water through the tank to remove any air. See Fig10



11. Then the installation is complete. Plug tank into electrical outlet and switch unit on, Power indicator will flash. See Fig11