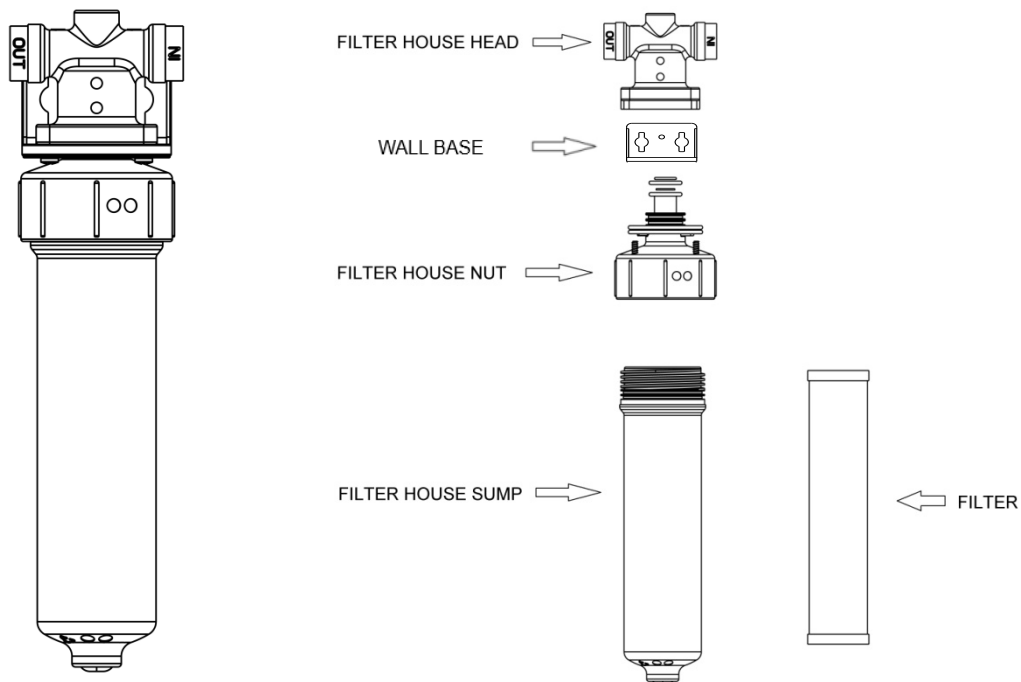


Instant Hot Water 3-in-1 Tap Replacement Cartridge

The filter cartridge in your instant hot tap system needs to be change every six months in order to ensure the system works at its optimum performance.Failure to do so may invalidate the warranty.Changing the cartridge is simple:



1. Switch off the heater tank

Important Notice-run off all hot water until just cold water is coming out of the tap.

2. Place a small bowl under the filter housing sump to catch the small amount of water that will be released when removing the filter housing sump.
3. Turn the filter house nut clockwise a quarter turn, to allow the filter housing sump to drop down from the filter housing head.
4. Once the sump is removed, unscrew the filter housing nut from the sump and tip any water out of the sump into the bowl or sink.
5. Remove the old filter by pulling the filter downward from the sump.
6. Dispose of the old filter in the normal household waste bin.
7. Fit the new filter into the filter house sump. Make sure not to disturb any seals and make sure they are in place before next step.

8. Screw the sump back onto the filter housing nut. Make sure the new filter inserted into the insert of the filter house nut.
9. Fit new filter label in box onto the filter casing and write down date installed.
10. Push the filter housing sump back into the filter housing head and turn anti-clockwise until it stops.

Important Notice The filter is now ready to use-it is vitally important that you follow the process below to ensure that all air is bled from the system.place a jug under the spout as water will splutter from the spout until all of the air is expelled.operate the instant hot tap lever to dispense water,run-off at least 1.5 litres of water,let the system rest for at least 30 seconds and run another 1.5 litres of water,repeat this at least one more time- your instant hot water tap should now be ready for use.you must now thoroughly check the unit for any water leaks and take this opportunity to check for any excess wear or damage to the system.if there are no leaks please continue.

11. Now switch the heater tank back on at the mains.
12. Set the desired temperature.
13. The heater tank will now heat up to the desired temperature and once completed the system is ready for use.